

TABLE TENNIS TABLE

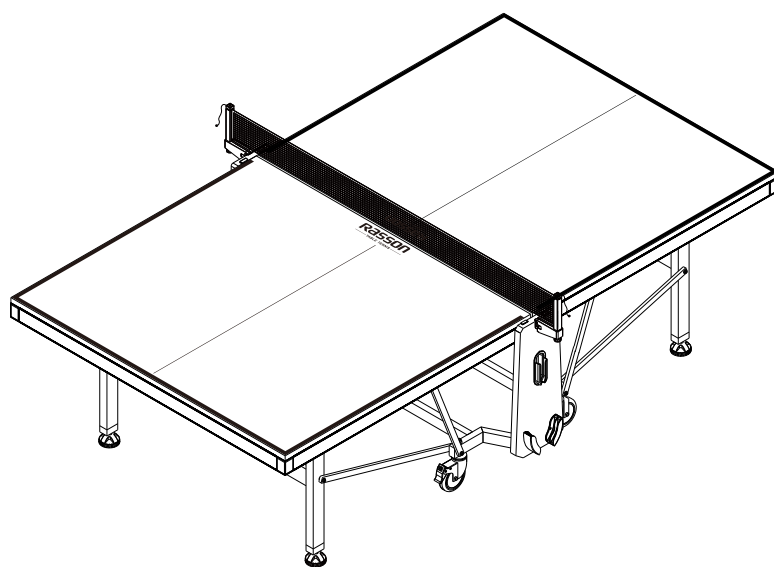


TABLE TENNIS TABLE ASSEMBLY INSTRUCTIONS

TABLE TENNIS TABLE HARDWARE













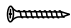








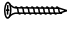

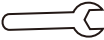
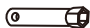


PACKAGE	ITEM#	SAMPLE	DESCRIPTION	QTY.
	H1		HEX HEAD CROSS BOLT 1/4" X 2"(M6X50mm)	4
	H2		FLAT WASHER 1/4" I.D.	4
	H3		SKID NUT 1/4" I.D.	4
	H4		HEX HEAD BOLT 1/2" X 6-11/16"(M12X170mm)	4
	H5		SKID NUT 1/2" I.D.	4
	H6		HEX HEAD CROSS BOLT 1/4" X 2"(M6X50mm)	6
	H7		FLAT WASHER 1/4" I.D.	6
	H8		HEX HEAD CROSS BOLT 1/4" X 3"(M6X75mm)	4
	H9		FLAT WASHER 1/4" I.D.	4
	H10		NYLON WASHER 1/4" I.D.	8
	H11		SKID NUT 1/4" I.D.	4
	H12		HEX HEAD CROSS BOLT 1/4" X 11/16"(M6X17mm)	4
	H13		FLAT HEADED SCREW 1/8" X 3/4"(M3X19mm)	16
	H14		HEX HEAD CROSS BOLT 1/4" X 3-9/16"(M6X90mm)	4
	H15		NYLON BUSHINGS 1/4" I.D.	8
	H16		SKID NUT 1/4" I.D.	4
	H17		HEX HEAD CROSS BOLT 1/4" X 1-1/4"(M6X30mm)	4

TABLE TENNIS TABLE HARDWARE

PACKAGE	ITEM#	SAMPLE	DESCRIPTION	QTY.	
	H18		HEX HEAD CROSS BOLT 1/4" X 4"(M6X100mm)	4	
	H19		FLAT WASHER 1/4" I.D.	8	
	H20		NYLON WASHER 1/4" I.D.	8	
	H21		SKID NUT 1/4" I.D.	8	
	H22		FLAT HEADED SCREW 1/8" X 3/4"(M3X19mm)	8	
TOOLS	T1		1/4"(M6)	1	
	T2		1/4"(M6)	1	
	T3		1/2"(M12)	1	
	T4		1/2"(M12)	1	
	T5		1/8"(M3)	1	

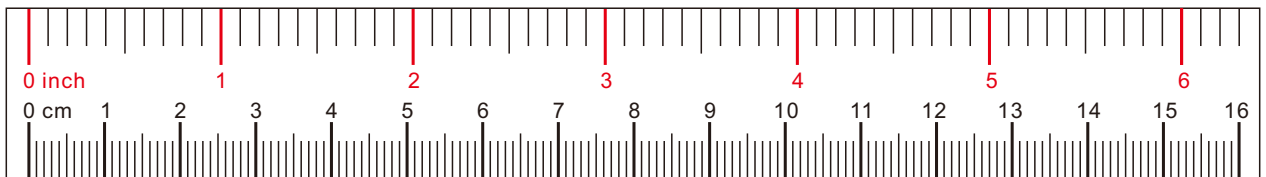


TABLE TENNIS TABLE COMPONENT PARTS


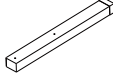
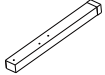

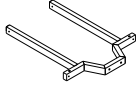



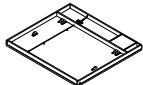


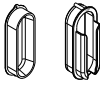








PACKAGE	ITEM#	SAMPLE	DESCRIPTION	QTY.
LEG	1		WHEEL WITH BRAKE	4
	2		LEFT LEG	2
	3		RIGHT LEG	2
	4		LEG BEAM	2
BASE FRAME	5		BASE FRAME	2
	6		C-BRACKET FOR BASE FRAME	2
STRUT	7		LONG STRUT	4
	8		SHORT STRUT	4
	9		TABLE TOP	2
	10		UNDERCARRIAGE	2
PLASTIC	11		CLIP & NET	1
	12		BALLS CLAMP	2
	13		BATS CLAMP	4
	14		LEG PAD	4
	15		PLASTIC PLUG	4

FIG.1		1/4"x2"	4 PCS		1/4" ID.	4 PCS		1/4" ID.	4 PCS
T1		T2							

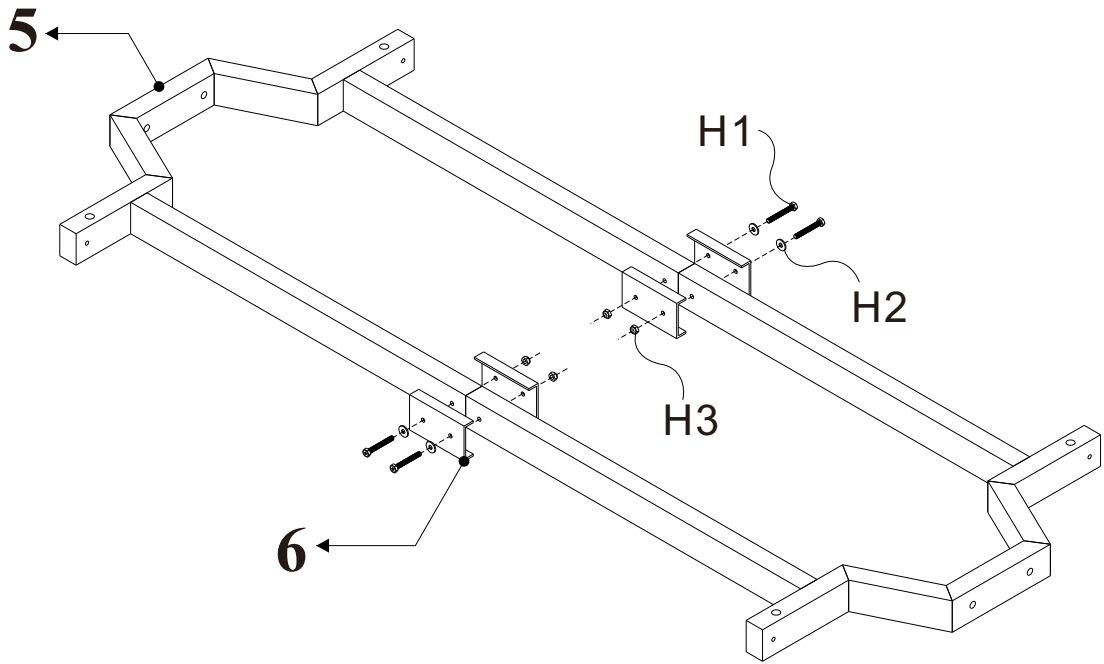






FIG.2		1/2"x6-11/16"	4 PCS		1/2" ID.	4 PCS
T3		T4				

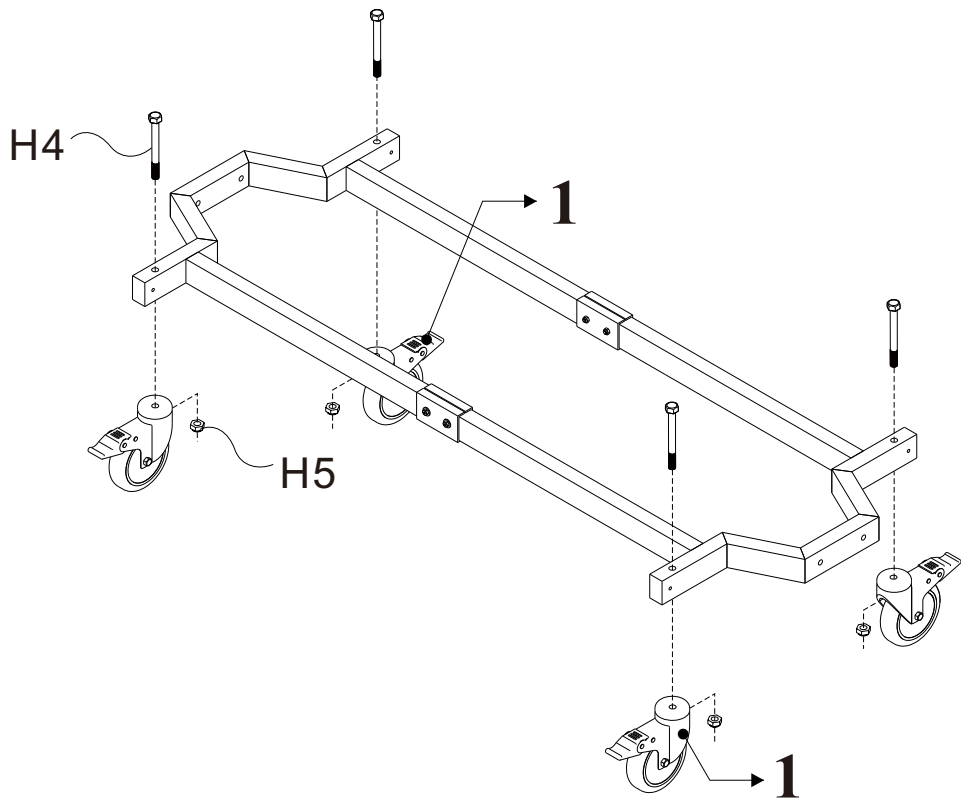
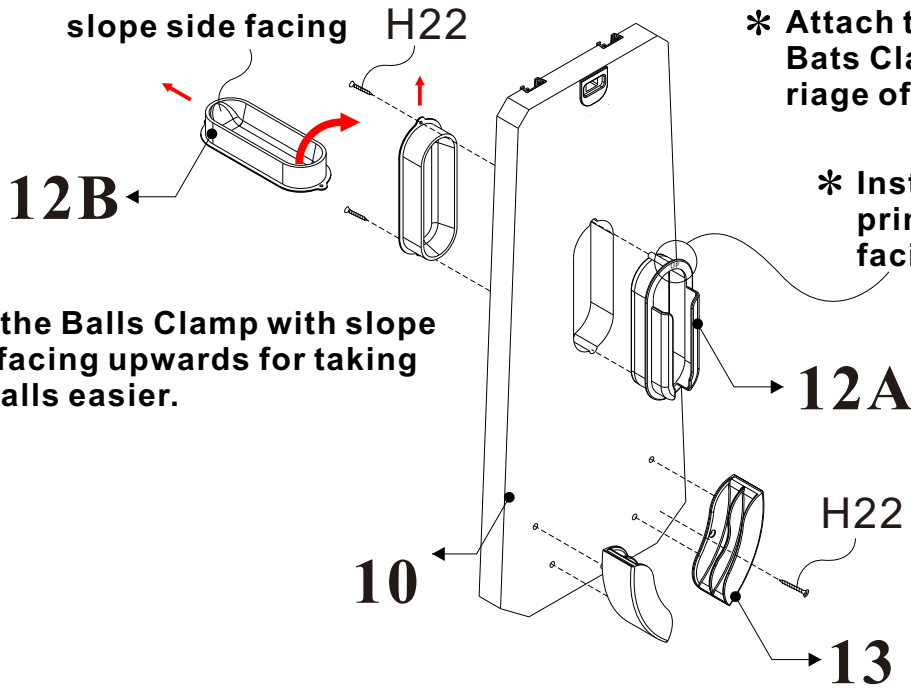


FIG.3

1/8"x3/4"

8 PCS

T5

**X 2****FIG.4**

1/4"x2"

6 PCS



1/4" ID.

6 PCS

T1



T2

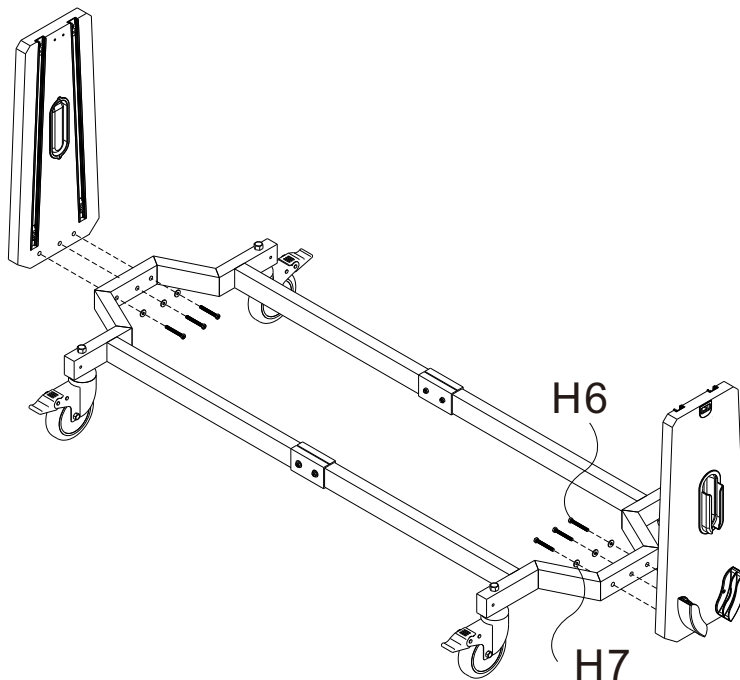









FIG.5		1/4"x3"	4 PCS		1/4" ID.	4 PCS		1/4" ID.	8 PCS
T1		T2/T5						1/4" ID.	4 PCS

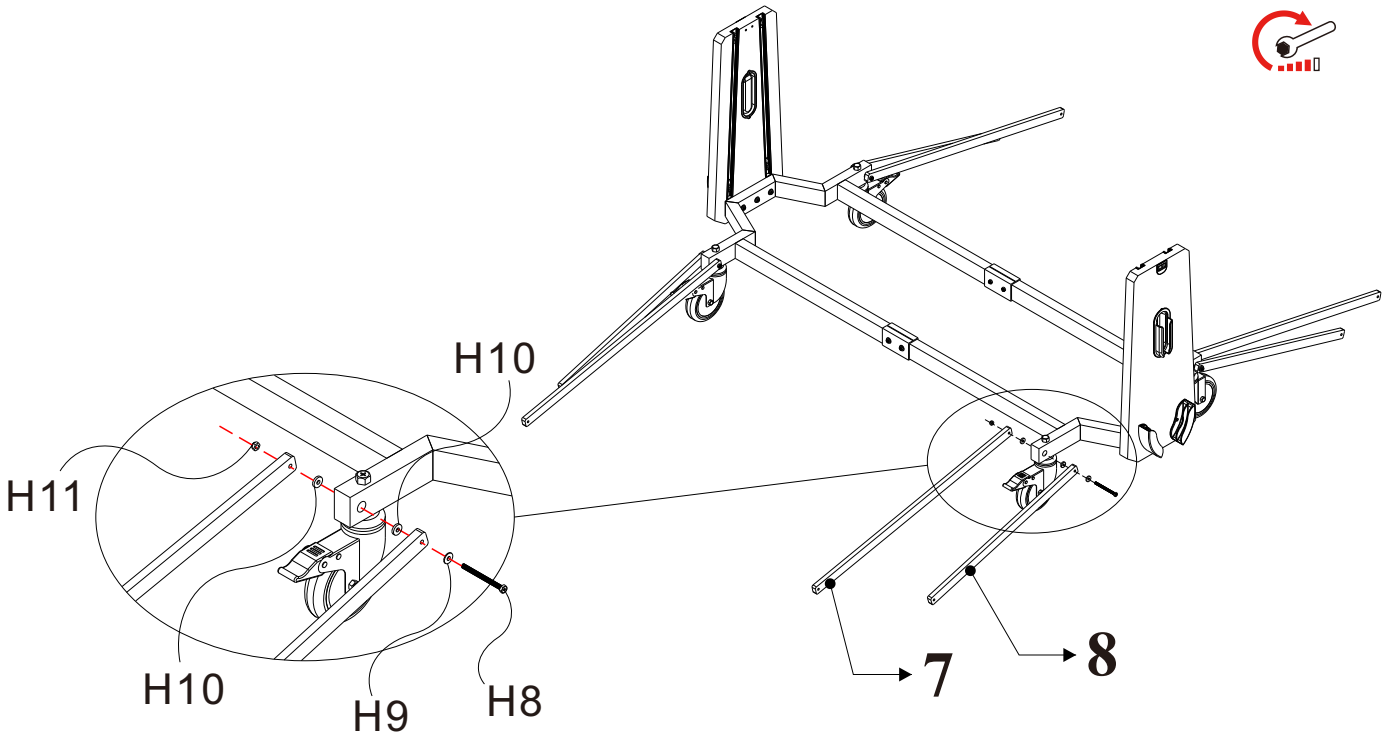

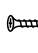
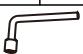
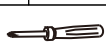
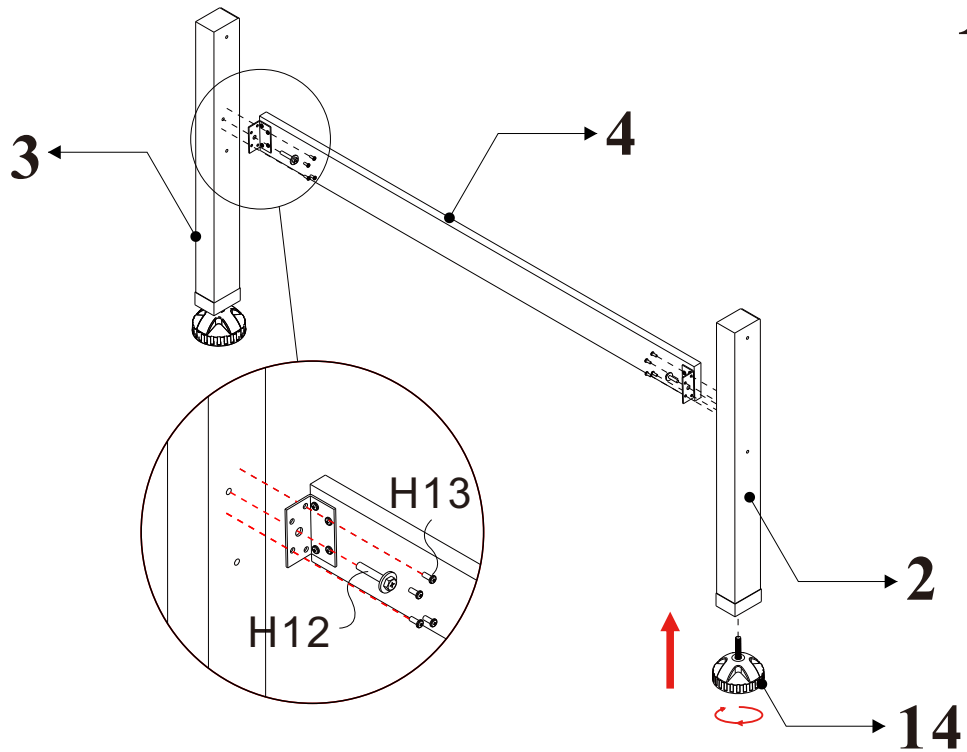




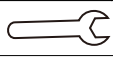


FIG.6		1/4"x11/16"	4 PCS		1/8"x3/4"	16 PCS
T1		T5				



X 2

FIG.7

	1/4"x3-9/16"	4 PCS		1/4" ID.	8 PCS		1/4" ID.	4 PCS
T1 	T2 							

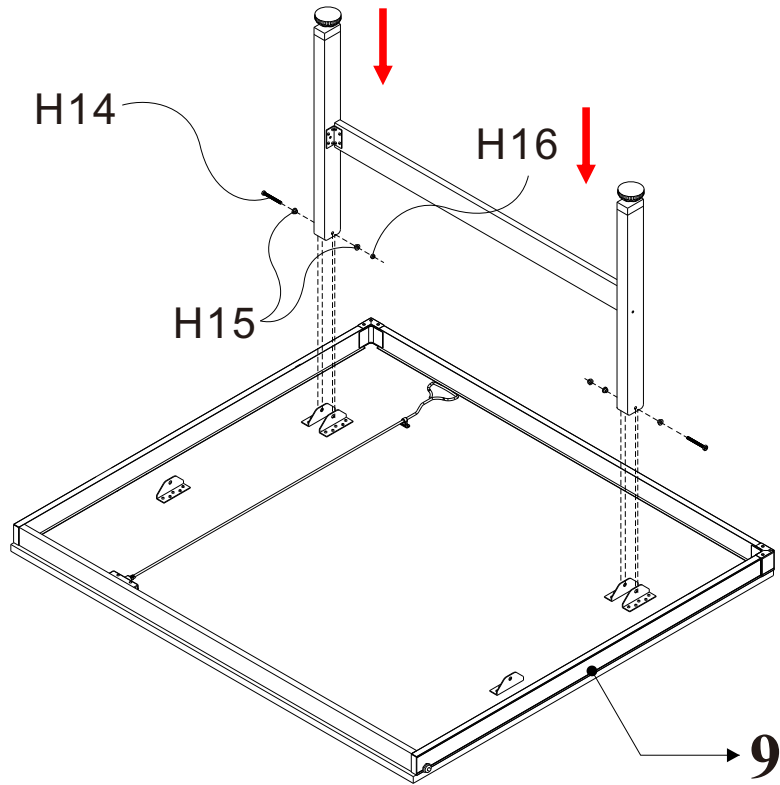


FIG.8

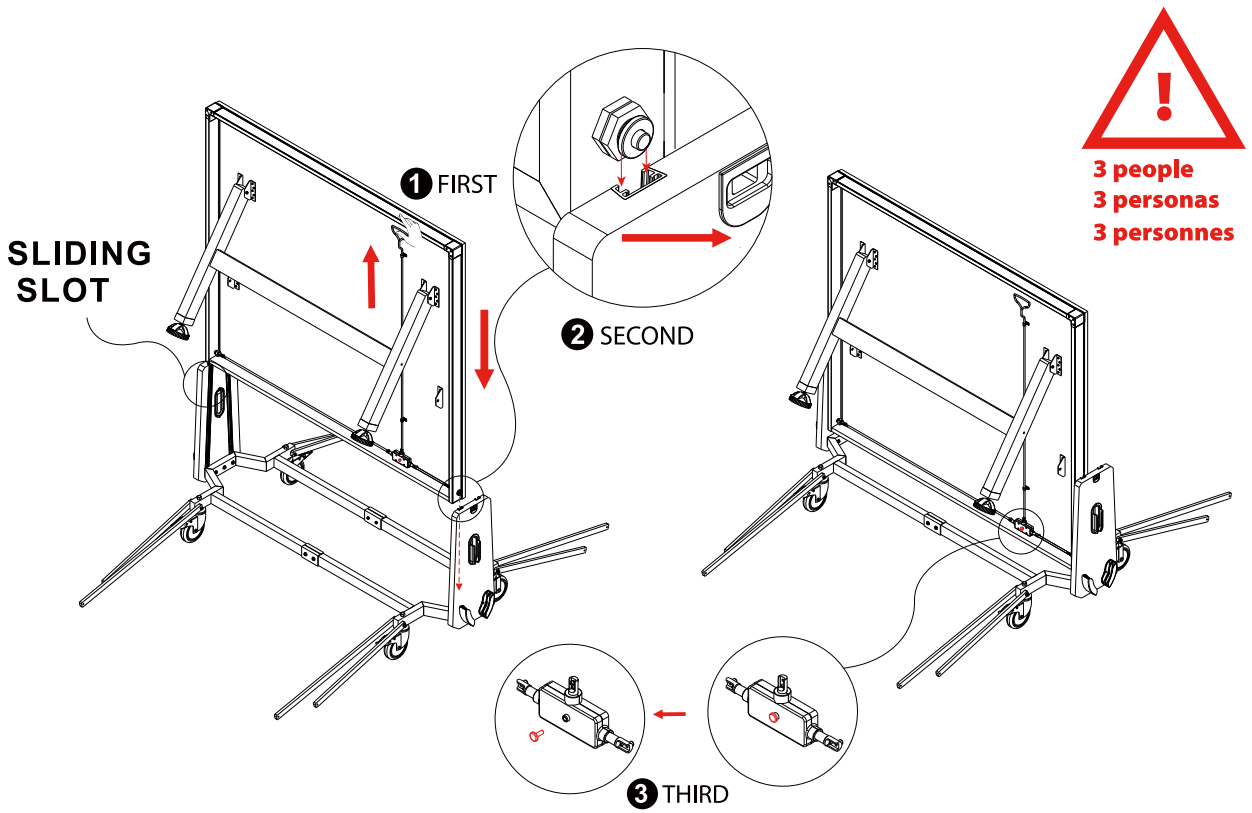










FIG.9

	1/4"x1-1/4"	2 PCS		1/4" ID.	2 PCS		1/4" ID.	2 PCS
							1/4" ID.	2 PCS
	1/4"x4"	2 PCS		1/4" ID.	2 PCS		1/4" ID.	2 PCS
							1/4" ID.	2 PCS

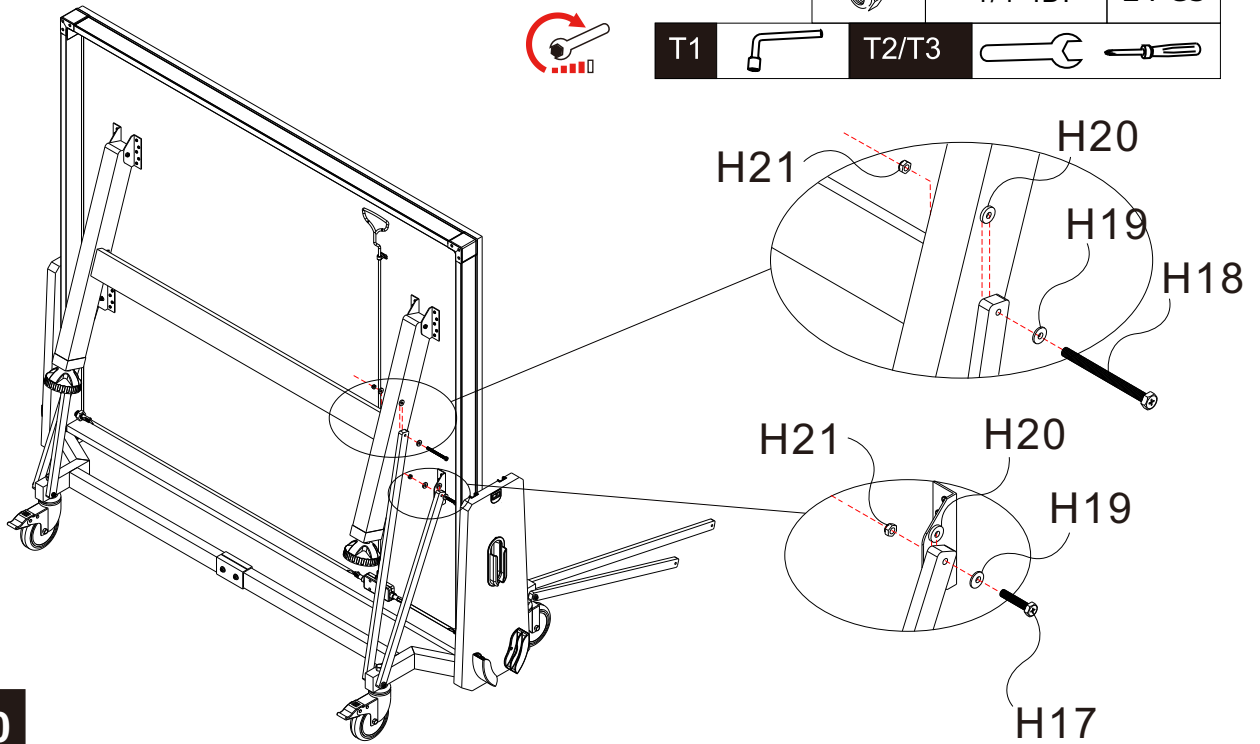
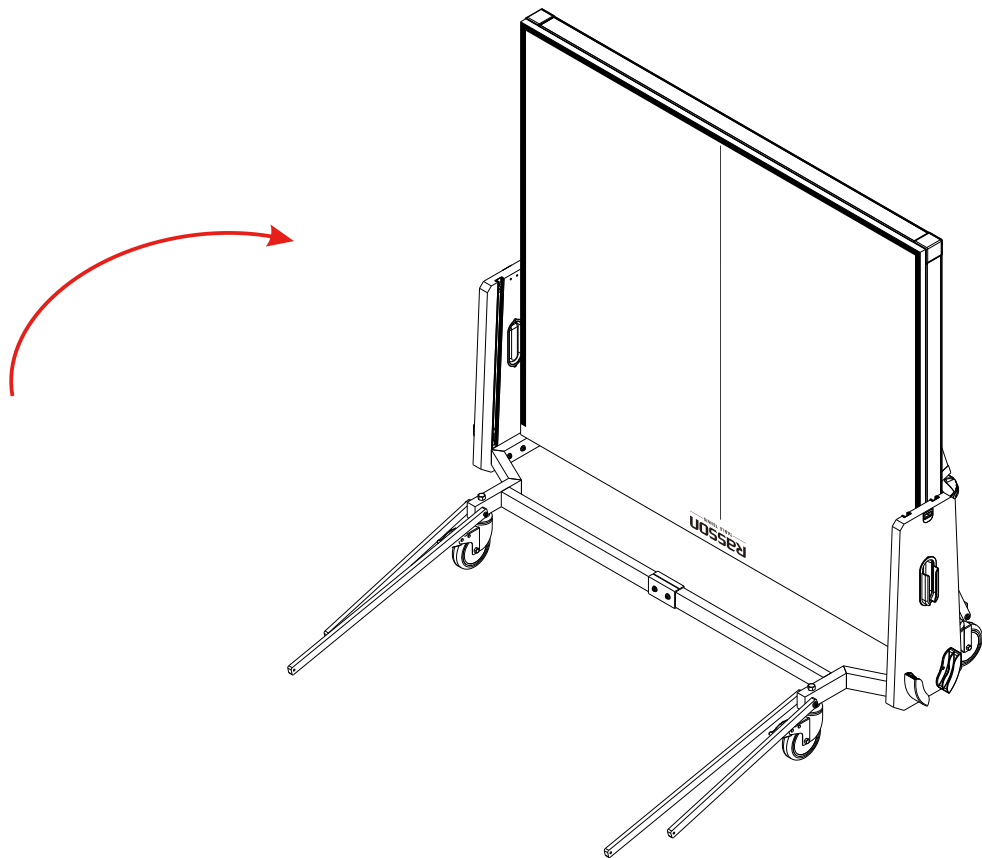
**FIG.10**

FIG.11

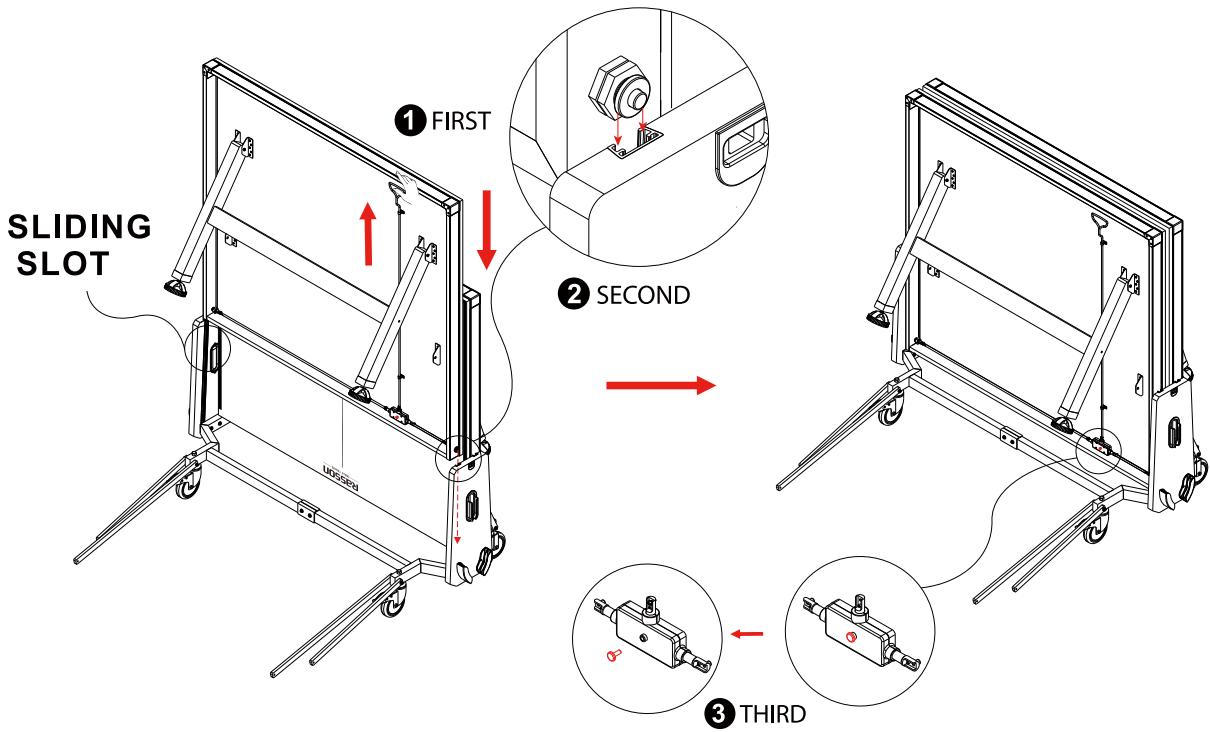










FIG.12

	1/4"x1-1/4"	2 PCS		1/4" ID.	2 PCS		1/4" ID.	2 PCS
							1/4" ID.	2 PCS
	1/4"x4"	2 PCS		1/4" ID.	2 PCS		1/4" ID.	2 PCS
							1/4" ID.	2 PCS

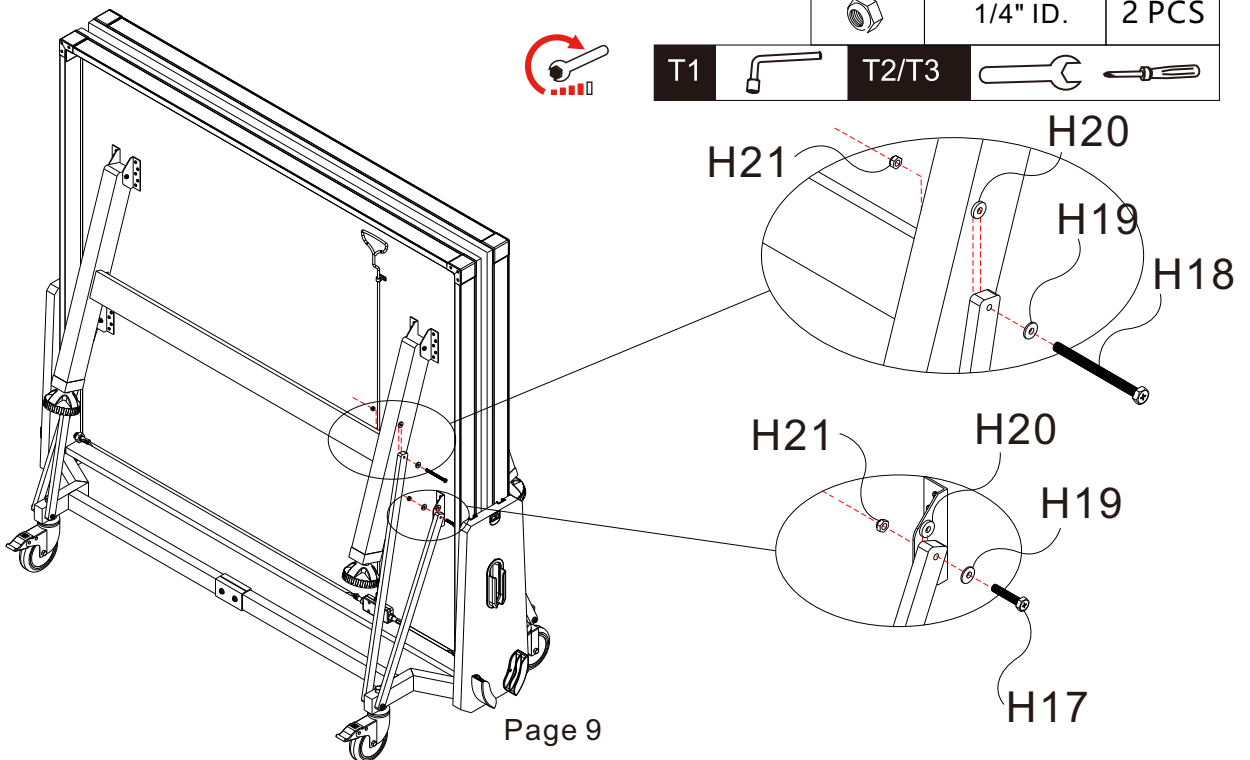


FIG.15

Note:

1. Insert the net set on the left side into the hole of the undercarriage. Fold the net set 90 degrees to loosen the net rope.
2. Insert the net set on the right side into the hole of the undercarriage
3. Unfold the net set on the left side back to the original position.

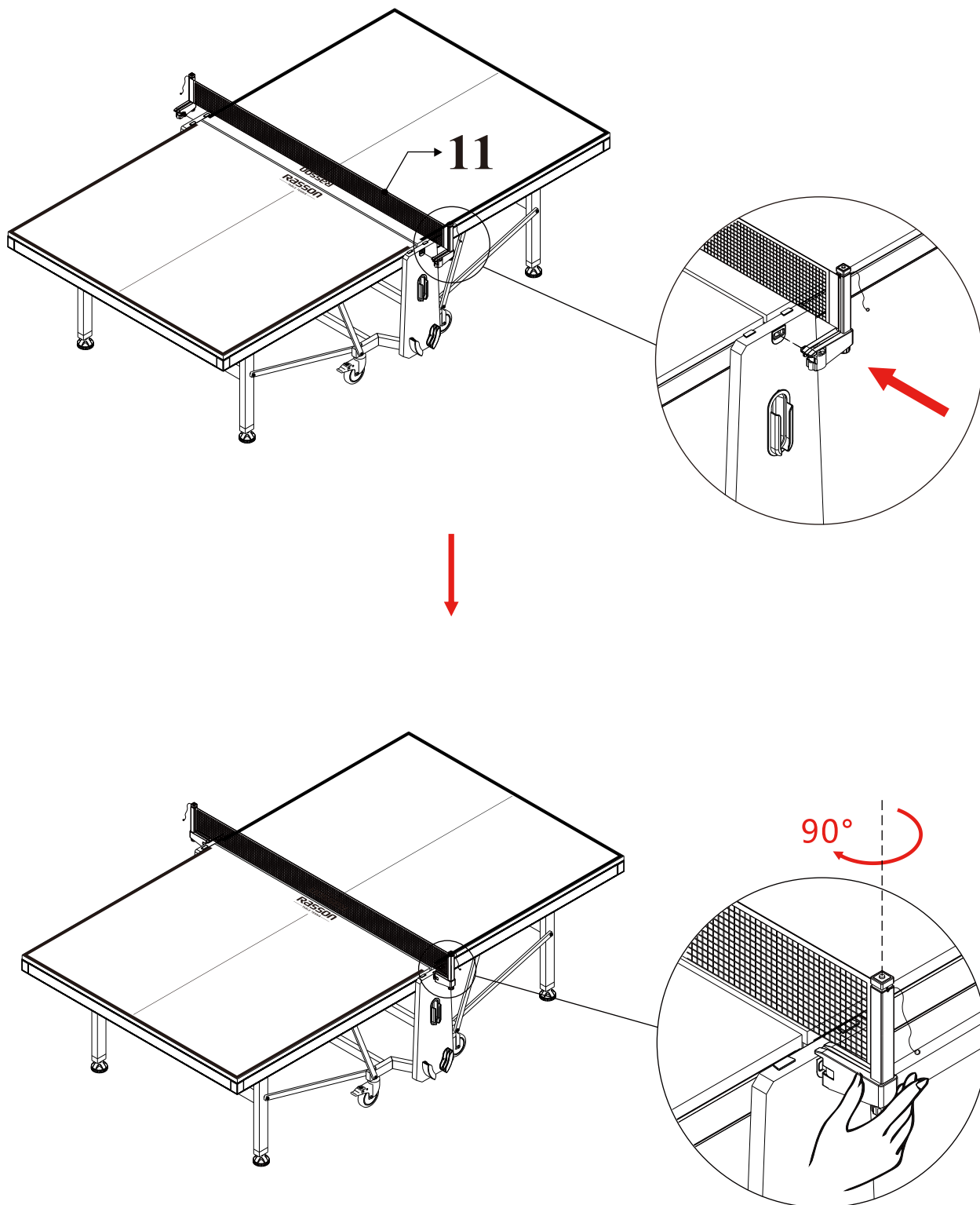


FIG.16

Note: Push and hold the button on the net post, use the other hand to pull the net string, and tighten the net. Release the button on the net post to lock in place.

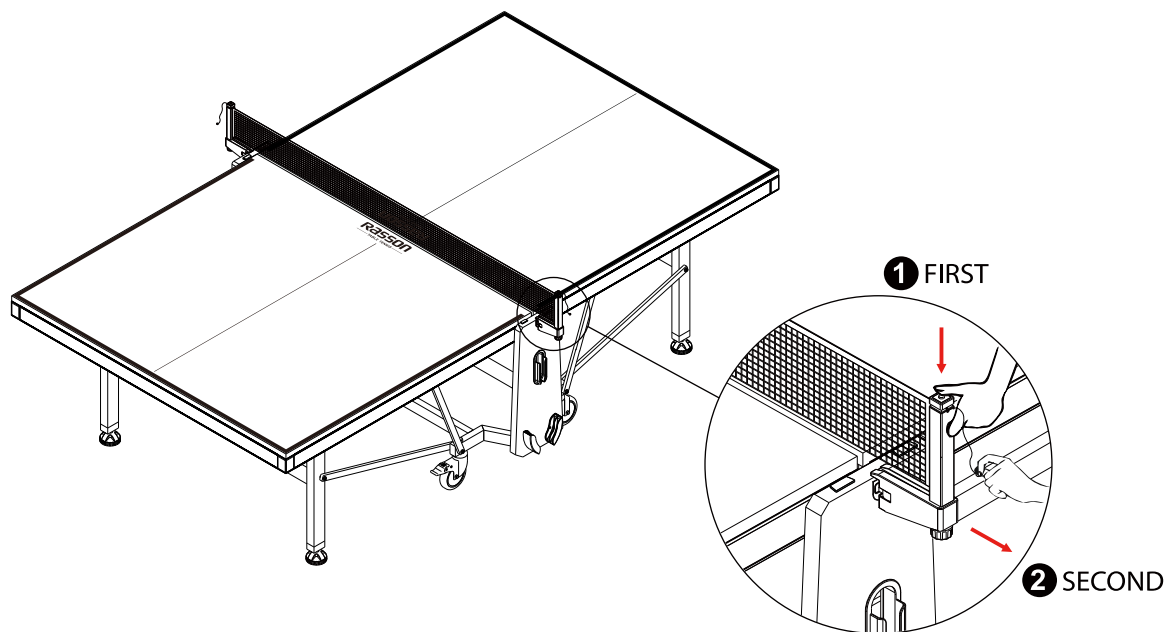


FIG.17

Note: Adjust the height of the net by rotating the wheel at the bottom of the net set.

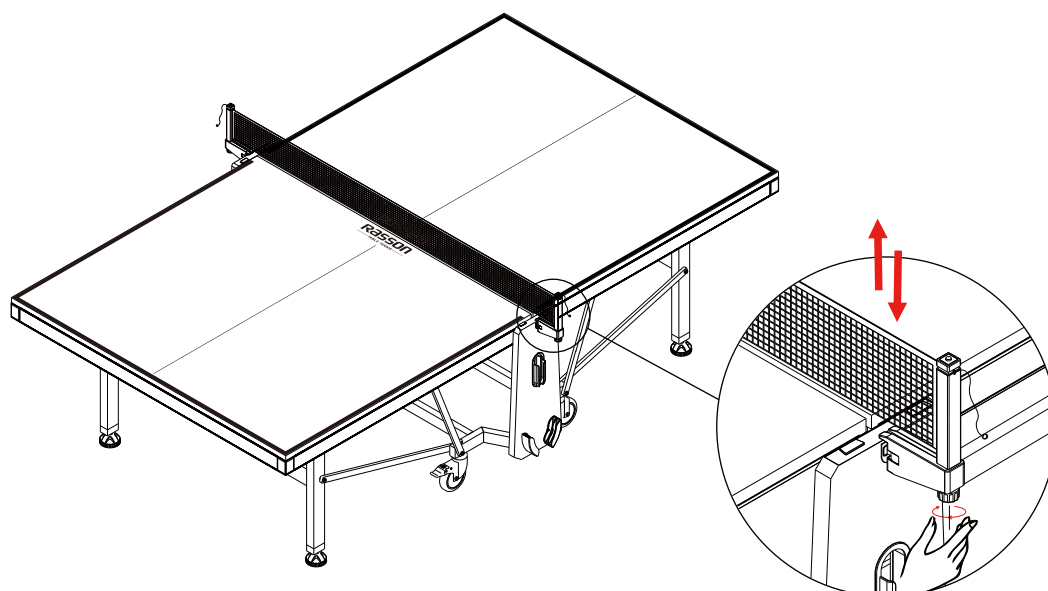
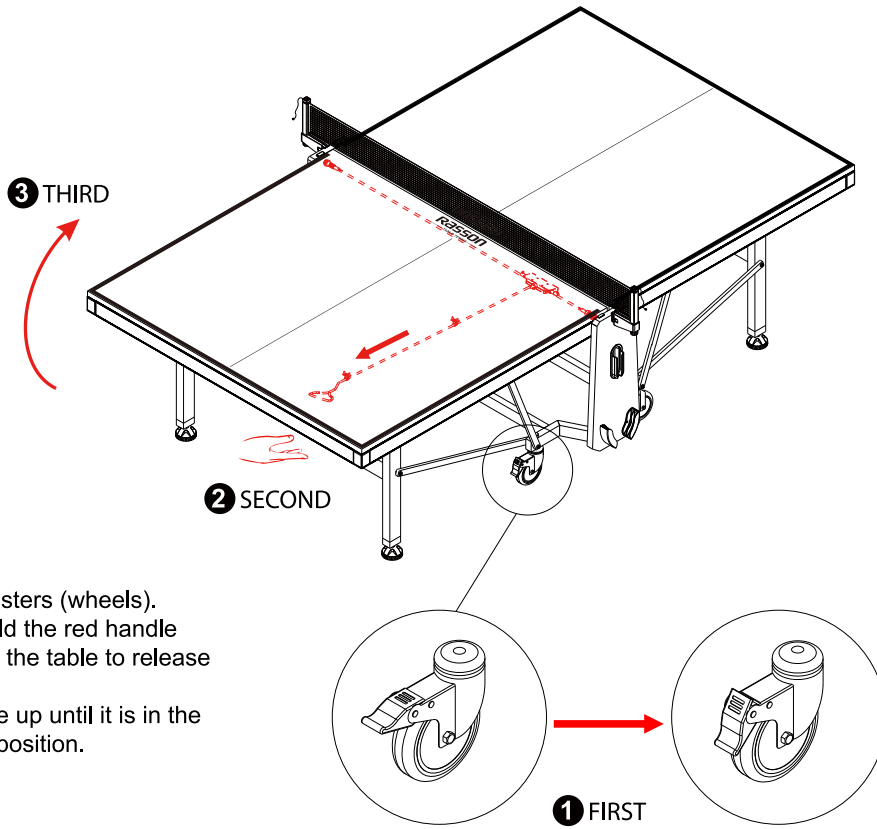


FIG.18



Finish

